

# RT-AV100/101



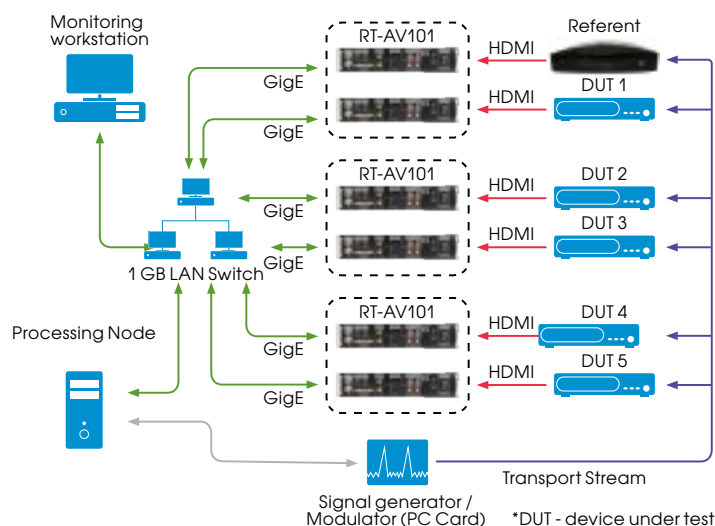
## Network attached Audio/Video capture device

RT-AV100/101 is a device for real-time capturing and streaming of audio and video signals up to 1080p60, over 1Gbit/s LAN. The device is intended for head-end monitoring and for STB/DVD/Blu-ray testing.



## Input interfaces

- Capture of SD, ED and HD video content up to 1080p60
- Variety of digital or analog A/V sources (SDI, HDMI, YPbPr, S-video, composite, S/PDIF-COAX and S/PDIF-OPT)
- On-the-fly real time lossless compression up to 1080i60 video streaming
- Capture of digital or analog audio
- Measurement of electrical values:
  - LNB Voltage
  - Analog Video signal level
  - Analog Audio signal level
  - SCART interface (pin8/pin16)
- Measurement of LNB frequency
- Support and compliance with consumer and professional audio and video standards
- Allows easy image capture or video streaming of multiple A/V signals into single computing server
- Automatic video signal and standard detection



## Use cases

- Ideal for verification of STB/DVD devices in the phase of development
- Monitoring of broadcast systems over LAN network
- Blu-ray testing
- Multiple devices' testing using round robin or parallel method

## Easy connectivity

- Gigabit Ethernet connectivity
- Captured content can be sent to more than one client - multicast
- Configuration and firmware update through LAN interface
- Easy installation procedure

## INTERFACES

Digital Video Input	HDMI, SDI
Analog Video Input	Composite, Component, S-Video, SCART
Supported HD Format	720p50, 720p59.94, 720p60, 1080PsF23.98, 1080p23.98, 1080PsF24, 1080p24, 1080PsF25, 1080p25, 1080PsF29.97, 1080p29.97, 1080PsF30, 1080p30, 1080i50, 1080i59.94, 1080i60, 1080p50 and 1080p60
Supported SDI formats	HD and SD SDI Receiver, with complete SMPTE Video and Audio Processing, as per SMPTE 425M, 292M and SMPTE 259M-C
Supported SD Format	625/25 PAL, 525/29.97 NTSC and 525/23.98 NTSC
HDMI Compliance	HDMI 1.3
Multiple Rate support	SDI, HDMI and component analog video connections are switchable between SD and HD. SDI switches between 270 Mb/s standard definition SDI and 1.5 Gb/s HD-SDI
Video Sampling	4:2:2
Color Precision	10 bit
Color Space	4:2:2 YUV
Digital Audio Input	S/PDIF (optical/coaxial), HDMI
Analog Audio Input	<ul style="list-style-type: none"><li>• ADC - stereo system input and output (Stereo Audio, 24-bit, 96kHz, Multi-bit Sigma Delta ADC and Stereo 24-bit, 192kHz, Multibit Sigma Delta DAC)</li><li>• Multi channel I2S standard 4 signals interface (in and out)</li></ul>
HDMI Audio Input	<ul style="list-style-type: none"><li>• Dolby Digital and DTS</li><li>• IEC60958 or IEC61937 compatible</li></ul>
LNB In/Out	F Connector with loop through
LAN	1000BASE-T Ethernet

## EXTRAS

Operation modes	PC controlled
System monitoring	PC application
Power supply	<ul style="list-style-type: none"><li>• Power supply integrated in platform cover with passive cooling</li><li>• 110-240V 10W per channel</li></ul>
OS Compatibility	Windows XP SP3, Windows 7, Windows 8
Dimensions	267 x 220 x 47mm (single RT-AV100 unit)

## PROCESSING

Video processing	<ul style="list-style-type: none"><li>• Lossless video compression (1:3),</li><li>• Real time video scaling for live video preview</li></ul>
------------------	--

## Package content

- RT-AV100/101 device
- Control software (Utility application or RT-Executor) or device driver (single DLL with API interface for using device in customer application)
- CD with utilities and documentation
- Cables (HDMI, component, CVBS, LAN, power)

## Software

- Device driver (single DLL with API interface), binary
- Demo software (usage of DLL), source code MSVS2005
- Stand-alone PC application\* for controlling RT-AV100/101 device with included device driver
- BBT Test Application\* with included device driver

\*optional

## RT-RK INSTITUTE FOR COMPUTER BASED SYSTEMS

Narodnog Fronta 23a  
21000 Novi Sad, Serbia  
Phone: +381 21 480 11 00  
Fax: +381 21 450 721  
www.rt-rk.com  
www.bbt.rs

