

RT-TS-STB-S



A complete test environment for the most reliable simultaneous testing of multiple digital receivers (STB) which puts greater emphasis on robustness, availability and error handling under a heavy load.

To whom is it intended?

During its life cycle a STB will be turned on and off many times, thousands of times will perform channel scan and TV signal decoding. Despite all this, the functionalities such as EPG and DVR will have to keep the required level of reliability. This system has been developed to meet the overwhelming challenges as for STB reliability during its long term operation and life cycle. It provides **software vendor**, **OEM**, and **TV operator** with a system for simultaneous verification of multiple STB units, with the main emphasis on greater statistical reliability of their devices. This is achieved by a large number of repetitions of tests (so-called **stress test**) and detection of possible malfunctioning in long-term exploitation (so-called **soak test**).



OEM



Software vendors

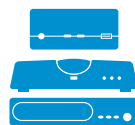


TV Operators

How it improves your productivity?



Reduces human interference



Independent of different manufacturers and types of STB



Increases throughput of tested devices



Increases reliability of tested devices

How does it work?

The system consists of tested devices (up to 16) each of them being connected to one of the grabber devices (RT-AV100) and managed by a dedicated RC emulator. After all the tested devices have been brought to a desired state, a simultaneous recording of output video and audio content is performed for all the units. The application performs processing and analysis of the recorded files using pre-defined algorithms. The analysis is based on a comparison with referent content, followed by designating a device by "correct" or "malfunctioning".

The system can be used in:

- "Golden reference" and
- "Golden device" set-up



What am I buying?



A delivered system consists of two 19" racks with:

- Workstation (PC) + monitor, keyboard, mouse
- RT-Executor application
- 16 RT-AV100 devices for audio and video recording
- 16 RC emulators
- LAN switch
- Test suite

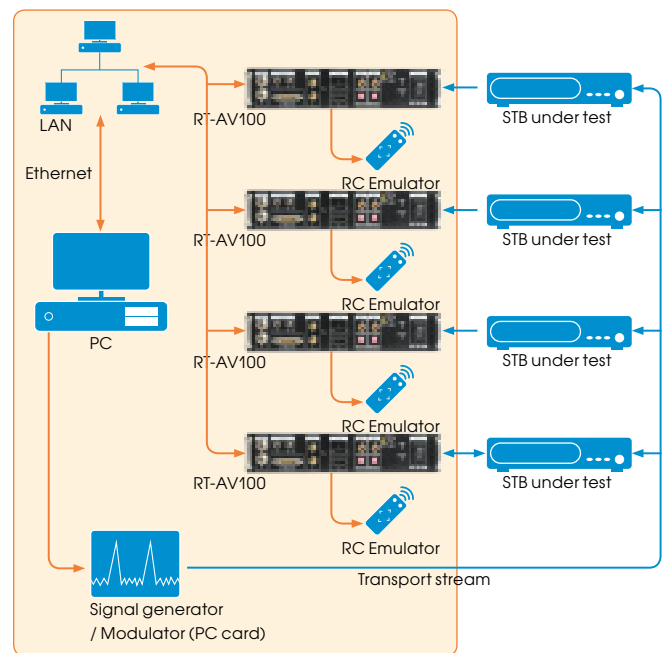
* The described system accommodates 16 STB units. System size is scalable, and fully configurable to meet customer's needs

** The system comes fully assembled (completed cabling).

What is tested?

It is intended to be used for testing of STB complex features, and puts greater emphasis on robustness, availability and error handling under a heavy load, rather than normal circumstances. In such conditions stability of work in all operational modes and preserving system's performance after a long-term exploitation is of immense importance, and that is exactly the intention of Stress Test Suite.

How to build the environment?



Most commonly detected errors

- STB's unsatisfactory response time to commands addressed by RC emulator
- Instability of the device in frequent and long-term channel change (zapping)
- Measuring zapping time
- Measuring boot time
- Errors in TV signal decoding in long-term operation

RT-RK INSTITUTE FOR COMPUTER BASED SYSTEMS

Narodnog Fronta 23a
21000 Novi Sad, Serbia
Phone: +381 21 480 11 00
Fax: +381 21 450 721
www.rt-rk.com
www.bbt.rs

